

ROUSE
Industries.com



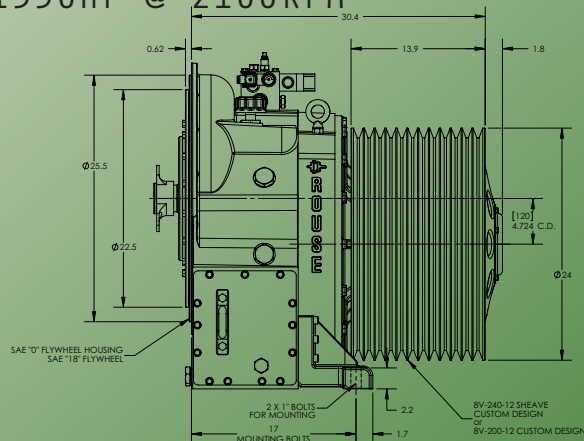
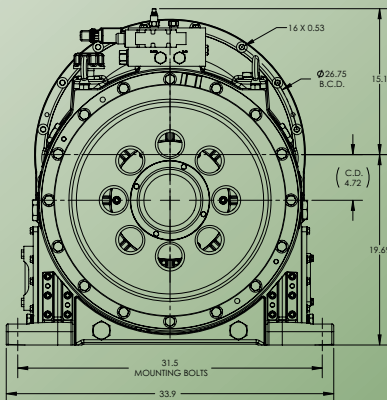
MudPumpDrive

Rouse MPD-1.1

SINGLE SPEED MUD PUMP DRIVE

Features

- COMPACT LIGHTWEIGHT DESIGN
- SMOOTH CLUTCH ENGAGEMENT AND SOFT START
- SAE 0 MOUNTING FLANGE
- SELF CONTAINED OIL SUMP - WET FLY-WHEEL CONNECTION
- ALL STEEL TORSIONAL COUPLING
- HIGH SPEED CLUTCH DISENGAGEMENT
- RATIO 2:1
- 1350HP @ 2100RPM



1. TYPICAL CONFIGURATION SHOWN, TO BE USED WITH SAE 10" WET FLYWHEEL HOUSING AND SAE 118" FLYWHEEL
 2. DIMENSIONS SUBJECT TO CHANGE WITHOUT NOTICE
 3. ADAPTERS FOR DIFFERENT ENGINES AVAILABLE
 4. CONTACT MANUFACTURER FOR CERTIFIED DRAWING

